



Point of use



Fixations



house boat Hamburg



Majorca

Material and technology

- Frame:** Profiled pole (Ø 67 mm), pole and free-arm of aluminium with built-in gas pressure spring (lift 50 cm) for height adjustment, shell parts of fibreglass reinforced TSG synthetic material (thermoplastic foam casting), the guideways are of Teflon-modified high performance plastic, opening crank integrated. With a removable hand crank.
- Shade roof:** 10 rods of galvanized tempered spring steel, light grey, hard anodized aluminium ball-and-socket joint for canopy inclination in all directions.

- Framematerial:** anodized natural or anthracite powder-coated (RAL 5803 E71387 A10)
- Frameform:** round or rectangular
- Shade cover:** material class 5 (100 % polyacrylic approx. 300 g/m²)
- Flounce:** available with or without flounce
- Protective cover:** included in the standard equipment

Assortment

Nominal size cm	Order no.	Order no.	Order no.	Order no.
	Frame anodized natural without flounce	Frame anthracite without flounce	Frame anodized natural with flounce	Frame anthracite with flounce
10 Ø 300	014 00 300 171	014 00 300 301	014 00 300 170	014 00 300 300
10 Ø 325	014 00 325 171	014 00 325 301	014 00 325 170	014 00 325 300
10 Ø 350	014 00 350 171	014 00 350 301	014 00 350 170	014 00 350 300
10 285 × 230	014 00 285 171	014 00 285 301	014 00 285 170	014 00 285 300

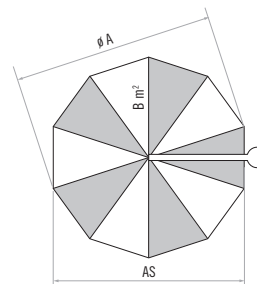
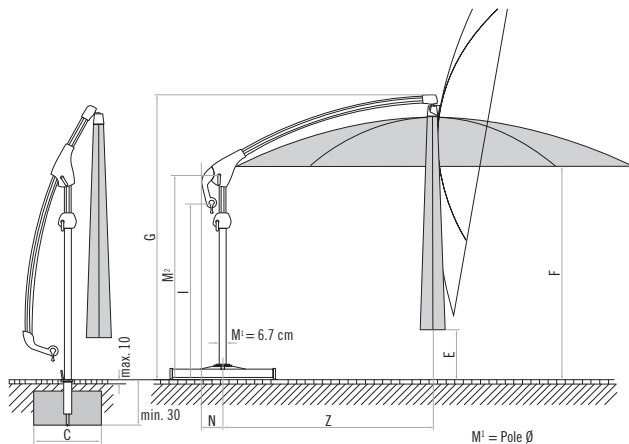
Nominal size cm	Lateral distance cm	Area covered m ²	Crank height cm	Height closed cm	Clear headroom cm	Total height cm	Height of pole cm	Overhang at the back cm	Length of free-arm cm	Foundation cm	Minimum weight for base kg	max. wind speed open perm. km/h (wind force)
A	AS	B	I	E	F	G	M ²	N	Z	C		
10 Ø 300	286	6.6	146...196	61...111	175...225	235...285	167...217	17...103	89...175	60 × 60	90	20(4)
10 Ø 325	310	7.8	146...196	48...98	175...225	235...285	167...217	17...103	89...175	60 × 60	90	20(4)
10 Ø 350	335	9.0	146...196	36...86	175...225	235...285	167...217	17...103	89...175	60 × 60	120	20(4)
10 285 × 230	-	6.6	146...196	36...86	175...225	235...285	167...217	17...103	89...175	60 × 60	90	20(4)

¹⁰ 10 parts

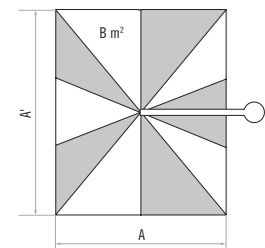
The listed measures represent extrapolated average values that may be slightly different on the product ($\pm 2\% \pm 5$ cm).

The height dimensions are based on the ground socket PX. With the base variants these vary slightly. With the variants with the ground socket M4 and mounting plate M4 / M8 the stated height dimensions are reduced by 9.5 – 10.5 cm. The max. wind speed limits as per our separate sheet apply only if the sunshade canopy is in a horizontal position and if there is a fix ground anchorage.

In the presence of several sunshades, the minimum distance between one sunshade and another and between sunshades and walls shall be 20 cm.



10 parts



10 parts

Loose cover max. 10 cm, concrete thickness
min. 30 cm (pay attention to frost depth),
water outflow

Accessories

	Order no.
Fixing option Z (support tube Z absolutely necessary)	
1. Concrete base Z, 90 kg, Ø 75 × 11 cm	350 01 109 523
2. Natural granite base Z, 90 kg, Ø 73 × 9 cm, natural stone	350 01 109 512
3. Support tube Z, P+, galvanised steel	350 01 201 400
3. Support tube Z, P+, high-grade steel 1.4301 / 304	350 01 201 500
Fixing option PX (Connection tube PX absolutely necessary)	
4. Ground socket PX, galvanised steel	350 01 207 001
4. Ground socket PX, high-grade steel 1.4301 / 304	350 01 207 011
5. Connection tube PX, P+, galvanised steel	350 01 206 050
5. Connection tube PX, P+, high-grade steel 1.4301 / 304	350 01 206 020
Fixing option M4 (support tube M4 absolutely necessary)	
6. ¹ Base frame with castors M4, 150 kg, Ø 88 × 17 cm, anthracite (weight set absolutely necessary)	350 01 102 700
² Weights set, 4 pieces 35001105600, cement, for base with castors 150 kg, (weight set approx. 99 kg)	350 01 103 600
³ Protective cover for base with castors M4, 150 kg	350 01 602 600
7. Base M4, 120 kg, (for 8 plates 40 × 40 × 4 cm), 91 × 91 × 11.5 - 15.5 cm, galvanised steel (adjustable and levellable) (without plates)	350 01 108 235
8. Cover for base M4, 88 × 88 × 5 cm, brushed aluminium (imitation)	350 01 100 400
Set of castors for base M4 (maximum weight 240kg), Ø 5 cm, H= 5.5 cm, galvanised steel	350 01 100 500
9. ³ Granite base M4, 120 kg, 90 × 90 × 17 cm, natural stone with castors	350 01 109 470
10. Ground socket M4, galvanised steel	350 01 226 510
11. Mounting plate M4 / M8, 30 × 30 × 1.5 cm, galvanised steel	350 01 226 921
12. Mounting plate M4 special, for installation height 50 – 149 mm, galvanised steel	350 01 226 932
13. Mounting plate M4 special, for installation height 150 – 350 mm, galvanised steel	350 01 226 930
10. Mounting plate M4 for isolated grounds, installation height made to measure, high-grade steel 1.4301 / 304	350 01 229 730
14. Wall console M4, extension 480 mm, galvanised steel	350 01 229 405
14. Wall console M4, extension 100 mm, galvanised steel	350 01 229 410
15. ¹ Support tube M4, P+, steel graphite grey	350 01 200 232
15. Support tube M4, P+, galvanised steel	350 01 200 235
Slabs for base M4	
Slab set, 8 pieces, 40 × 40 × 4 cm, (ca. 110 kg), concrete	350 01 226 908
Slab set, 8 pieces, 40 × 40 × 4 cm, (ca. 115 kg), 4 pieces concrete, 4 pieces concrete in granite-look	350 01 226 909
Protective cover, coated polyester fabric	
16. Protective cover with zip and rod	350 01 609 930
Miscellaneous items	
17. Rechargeable battery light Osyrion 6 for pole Ø 30 – 50 mm, battery charger with european plug (type C) included (1 accumulator included)	350 01 557 950
18. Rechargeable battery light Osyrion 4 for pole Ø 30 – 50 mm, battery charger with european plug (type C) included (1 accumulator included)	350 01 557 910
Spare accu, 3.6 V, 2500 mAh (for Osyrion 4 & 6)	350 01 557 920
19. ¹ Base transporter for sockets weighing 120 kg, 180 kg, 240 kg, 430 kg and 620 kg	350 01 909 000

¹while stocks last

³only suitable for smooth, joint free surface coverings





Dubai



Majorca



Morcote, Ticino

furniture designhouse.com

Extreme outdoor furniture... handcrafted in Europe... Yet, surprisingly affordable!

Loom Britannia Ltd
Ho Ho Kus, NJ 07423
201.689.9422
sales@FurnitureDesignhouse.com