

PENDALEX® P+

The multifunctional all-rounder

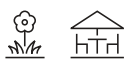


# PENDALEX® P+



## Material and technology

<b>Frame:</b>	Profiled mast (Ø 67 mm), mast and free-arm of aluminium with built-in gas pressure spring (lift 50 cm) for height adjustment, shell parts of fibreglass reinforced TSG synthetic material (thermoplastic foam casting), the guideways are of Teflon-modified high performance plastic, opening crank integrated. With a removable hand crank.
<b>Shade roof:</b>	10 struts of galvanized tempered spring steel, light grey, hard anodized aluminium ball-and-socket joint for canopy inclination in all directions.
<b>Frame colour:</b>	anodized natural or anthracite powder-coated
<b>Frameform:</b>	round or rectangular
<b>Shade cover:</b>	available in the material class 5 (100 % polyacrylic approx. 300 g/m <sup>2</sup> )
<b>Flounce:</b>	available with or without flounce
<b>Protective cover:</b>	included in the standard equipment



Application



Fixations

PENDALEX® P+;  
Int. Patents reg. © Int. Design reg.



Swiss  
Made

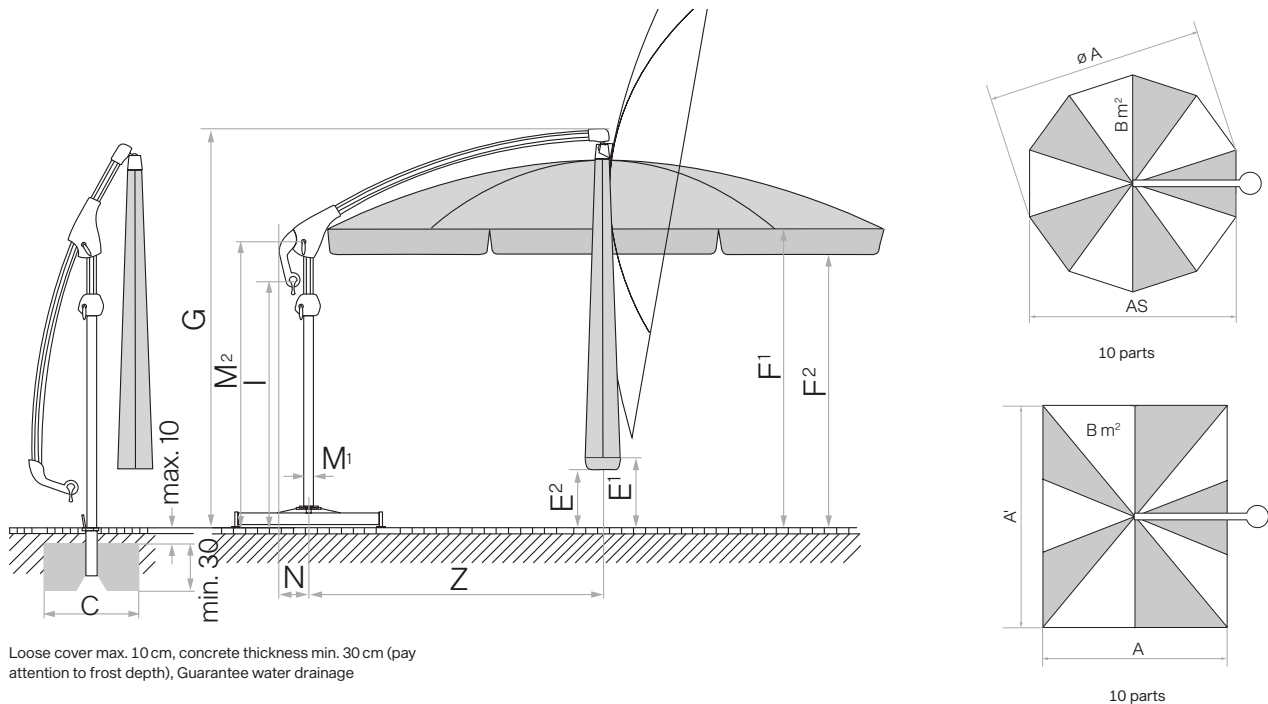
# Assortment

Nominal size	Order no. Frame anodized natural	Order no. Frame anthracite	Order no. Frame anodized natural	Order no. Frame anthracite
○	without flounce	without flounce	with flounce	with flounce
Ø 300 <sup>10</sup>	014 00 300 171	014 00 300 301	014 00 300 170	014 00 300 300
Ø 325 <sup>10</sup>	014 00 325 171	014 00 325 301	014 00 325 170	014 00 325 300
Ø 350 <sup>10</sup>	014 00 350 171	014 00 350 301	014 00 350 170	014 00 350 300
□				
285×230 <sup>10</sup>	014 00 285 171	014 00 285 301	014 00 285 170	014 00 285 300

Nominal size	Lateral distance	Mast Ø	Area covered	Crank height	Height closed/ with flounce	Clear headroom/ with flounce	Total height	Height of mast	Overhang at the back	Length of free-arm	Foundation	Minimum weight for base	max. wind speed open perm.
cm	cm	cm	m <sup>2</sup>	cm	cm	cm	cm	cm	cm	cm	cm	kg	km/h (wind force)
A	AS	M <sup>1</sup>	B	I	E <sup>1</sup> /E <sup>2</sup>	F <sup>1</sup> /F <sup>2</sup>	G	M <sup>2</sup>	N	Z	C		
Ø 300 <sup>10</sup>	286	6.7	7.1	146...196	61...111/ 43...93	175...225/ 157...207	235...285	167...217	17...103	89...175	60×60	90	20(4)
Ø 325 <sup>10</sup>	310	6.7	8.3	146...196	48...98/ 30...80	175...225/ 157...207	235...285	167...217	17...103	89...175	60×60	120	20(4)
Ø 350 <sup>10</sup>	335	6.7	9.6	146...196	36...86/ 18...68	175...225/ 157...207	235...285	167...217	17...103	89...175	60×60	120	20(4)
285×230 <sup>10</sup> -		6.7	6.6	146...196	36...86/ 18...68	175...225/ 157...207	235...285	167...217	17...103	89...175	60×60	90	20(4)

<sup>10</sup> 10 parts

The listed measures represent extrapolated average values that may be slightly different on the product ( $\pm 2\% \pm 5$  cm).  
 The height dimensions are based on the ground socket PX, without flounce. With the base variants these vary slightly. With the variants with the ground socket M4 and mounting plate M4/M8 the stated height dimensions are reduced by 9.5 – 10.5 cm. The max. wind speed limits as per our separate sheet apply only if the parasol canopy is in a horizontal position and if there is a fix ground anchorage.  
 In the presence of several parasols, the minimum distance between one parasol and another and between parasols and walls shall be 20 cm.



1 2 3 4 5 6 7 8 9 10

## Accessories

<b>Fixing option Z</b> (support tube Z <b>absolutely</b> necessary)		<b>Order no.</b>
1	Concrete base Z, 90 kg, Ø 75 × 11 cm	350 01 109 523
	1 pallet (10 pieces) concrete base Z, 90 kg, Ø 75 × 11 cm	350 01 109 535
2	Natural granite base Z, 90 kg, 64 × 64 × 9 cm, natural stone	350 01 109 515
3	Support tube Z, P <sup>1</sup> , galvanised steel	350 01 201 400
3	Support tube Z, P <sup>1</sup> , high-grade steel 1.4301 / 304	350 01 201 500
<b><sup>3</sup> Base with castors Z or M4</b> (support tube Z or M4 <b>absolutely</b> necessary)		
4	Base with castors Z, 90 kg, 80 × 80 × 12.5 cm, cast concrete decor	350 01 102 800
	1 pallet (5 pieces) base with castors Z, 90 kg, Ø 80 × 80 × 12.5 cm, cast concrete decor	350 01 102 850
5	Base frame with castors M4, 150 kg, 80 × 80 × 14 cm, galvanised steel	350 01 103 000
	Cast concrete decor weights set, 4 pieces 25101104500 (approx. 125 kg) for 350 01 103 000	350 01 103 100
<b>Fixing option PX</b> (Connection tube PX <b>absolutely</b> necessary)		
6	Ground socket PX, galvanised steel	350 01 207 001
6	Ground socket PX, high-grade steel 1.4301 / 304	350 01 207 011
7	Connection tube PX, P <sup>1</sup> , galvanised steel, anodized natural	350 01 206 050
7	Connection tube PX, P <sup>1</sup> , galvanised steel (for anthracite frame)	350 01 206 040
7	Connection tube PX, P <sup>1</sup> , high-grade steel 1.4301 / 304, anodized natural	350 01 206 020
7	Connection tube PX, P <sup>1</sup> , high-grade steel 1.4301 / 304 (for anthracite frame)	350 01 206 030
<b>Fixing option M4</b> (support tube M4 <b>absolutely</b> necessary)		
8	Base M4, 120 kg, (for 8 plates 40 × 40 × 4 cm), 91 × 91 × 11.5 – 15.5 cm, galvanised steel (adjustable and levellable) (price without plates)	350 01 108 235
9	Cover for M4 base, 120 kg, 96 × 96 × 11.5 cm, plastic ABS coated, anodized aluminium look	350 01 100 617
9	Cover for M4 base, 120 kg, 96 × 96 × 11.5 cm, plastic ABS coated, anthracite	350 01 100 630
	Set of castors for base M4 (maximum weight 240 kg), Ø 5 cm, H = 5.5 cm, galvanised steel	350 01 100 500
10	<sup>3</sup> Granite base M4, 120 kg, 90 × 90 × 17 cm, natural stone with castors	350 01 109 475
11	Ground socket M4, galvanised steel	350 01 226 510
12	Mounting plate M4 / M8, 30 × 30 × 1.5 cm, galvanised steel	350 01 226 921
13	Mounting plate M4 special, for installation height 50 – 149 mm, galvanised steel	350 01 226 932
14	Mounting plate M4 special, for installation height 150 – 350 mm, galvanised steel	350 01 226 930
	Mounting plate M4 for isolated grounds, installation height made to measure, high-grade steel 1.4301 / 304	350 01 229 730
15	Wall console M4, extension 480 mm, galvanised steel	350 01 229 405
16	Wall console M4, extension 100 mm, galvanised steel	350 01 229 410
17	<sup>1</sup> Support tube M4, P <sup>1</sup> , steel graphite grey	350 01 200 232
17	Support tube M4, P <sup>1</sup> , galvanised steel	350 01 200 235
<b>Slabs for base M4</b>		<b>Order no.</b>
	Slab set, 8 pieces, 40 × 40 × 4 cm, (ca. 110 kg), concrete	350 01 226 908
	Slab set, 8 pieces, 40 × 40 × 4 cm, (ca. 115 kg), 4 pieces concrete, 4 pieces in granite-look	350 01 226 909
<b>Protective cover made of coated, tear-resistant polyester fabric</b>		
18	Protective cover with zip and rod	350 01 609 931
<b>Miscellaneous items</b>		
19	OSYRION Spot LED battery-powered light, set of 2, with remote control, including charger	350 01 563 000
20	OSYRION Spot LED battery-powered light, set of 4, with remote control, including charger	350 01 563 100

<sup>1</sup> while stocks last

<sup>3</sup> only suitable for smooth, joint free surface coverings



11

12

13

14

15

16

17

18

19

20

[furnituredesignhouse.com](https://furnituredesignhouse.com)

Extreme outdoor furniture... handcrafted in Europe... Yet, surprisingly affordable!

Furniture Designhouse

Ho Ho Kus, NJ 07423

201.689.9422

[sales@FurnitureDesignhouse.com](mailto:sales@FurnitureDesignhouse.com)

Glatz AG  
Parasols  
2022 Season

[glatz.com](https://glatz.com)

